



JM Needle

Needle oiler for JM oils suitable for bottles no. 5, no. 11 and no. 13.



Do not disassemble. Remove child fastener, and simply unscrew the needle!

www.jm-gmbh.de

Properties of the care products:

- for brass instruments
- synthetic
- protects against wear and corrosion
- odourless – non-clumping
- CO² / climate-neutral production
- Made in Germany



J. Meinschmidt GmbH
Hirschenweg 5
82538 Geretsried
Phone: +49 8171 31710
Email: info@jm-gmbh.de
Web: www.jm-gmbh.de



Please scan for more information!

User manual

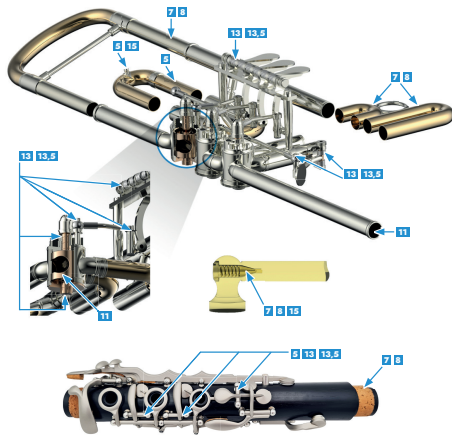
Synthetic lubricants for brass instruments

Our new care series
for your instrument



Made in Germany

www.jm-gmbh.de



1 JM001 Valve Oil – Synthetic Light Piston – 50ml

A light synthetic valve oil, which was developed especially for instruments with still very dense piston valves. Enables a smooth, fast and even valve clearance.

2 JM002 Valve Oil – Synthetic Medium Piston & Rotor – 50ml

A long lasting synthetic valve oil specially developed for piston and rotary valves with average clearance. Provides long lasting, smooth, fast and even valve clearance.

3 JM003 Valve Oil – Synthetic Heavy Piston & Rotor – 50ml

A synthetic valve oil for the protection of piston and rotary valves. Helps to seal valves that already have a slightly larger clearance. Allows a long lasting, smooth and fast valve clearance and prevents getting stuck.

5 JM005 Slide Oil – Synthetic – 30ml

A synthetic Slide oil that guarantees the lightness and smoothness of all slides. Particularly suitable for smooth-running slides with tone compensation. Also dampens vibrations and is suitable for worn out joints.

7 JM007 Slide Gel – Synthetic – 30ml

The preferred synthetic lubricant for all tuning slides. Seals permanently and prevents the formation of lumps at the end of the slide thanks to its good adhesive properties. Protects against corrosion and wear.

8 JM008 Slide Grease – Synthetic – 25ml Tube

The preferred slide grease for all tuning slides. Seals permanently and prevents the formation of lumps at the end of the slide thanks to its good adhesive properties and temperature resistance. Protects against corrosion and wear.

11 JM011 Rotor Oil – Synthetic – 30ml

A durable synthetic oil, specially formulated for instruments with rotary valves. Guarantees fast response and smooth running. Protects against corrosion and wear.

13 JM013 Bearing Oil – Synthetic – 30ml

For rotary valves with still small bearing clearance. This synthetic oil ensures maximum wear resistance and corrosion protection for all types of bearings and rod without reducing smoothness.

13.5 JM013.5 Bearing & Linkage Oil – Synthetic – 30ml

For rotary valves with average bearing clearance. This synthetic oil ensures maximum wear resistance and corrosion protection for all types of bearings and rod without reducing smoothness.

15 JM015 Spacefiller Oil – Synthetic – 30ml

A heavy viscosity, synthetic oil for bearings and mechanical systems that have become loose. This oil allows noiseless movement, dampens vibrations and guarantees smooth action. Also suitable for shafts, screws and worn joints. Protects against corrosion and wear.

JM300 Instrument Cleaner – 100ml

Cleans, maintains and preserves all surfaces on musical instruments. Even stubborn limescale stains are removed quickly and without leaving any residue. Ideally suitable for quick finishing.

